



CORMIDI

C55



world premiere

bauma

April 8-14, 2019, Munich



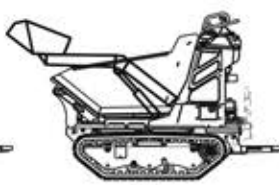
AVAILABLE VERSIONS:



RIA



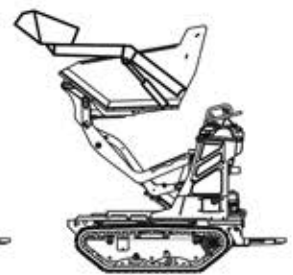
RI



AC



HI



HIAC

the new era!



C55

Specifications

C55

Engine

Type **Honda GX 200 6.5 hp**

Tracks

Stand. tracks width **180 mm (7.1 in)**
 Rocking Rollers **n°4**

Hydraulic system

Hydraulic pump **n° 3 Gear pump double speed**
 Flux std **41 lt/min (10.83 gpm) 210 bar**

Performance and dimensions

Max travel speed **3,32 Km/h (2.05 mph)**
 Dry Weight RI **428 kG (943.6 Lb)**
 Dry Weight HI-TIP **471 kG (1038.4 Lb)**
 Dry Weight AC **471 kG (1038.4 Lb)**
 Dry Weight HIAC **593 kG (1307.4 Lb)**

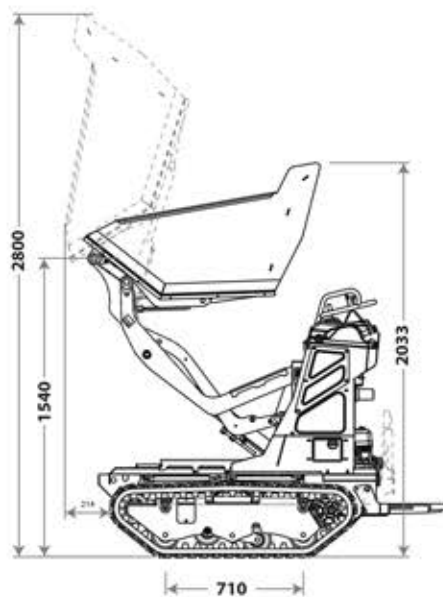
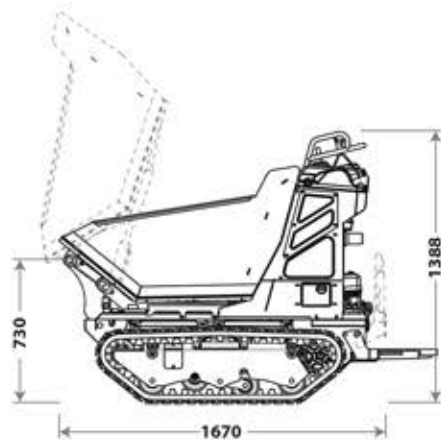
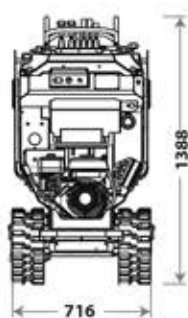
RI

Gross capacity (SAE)
0.28 mc³ / 0.36 yd³



HI-TIP

Gross capacity (SAE)
0.30 mc³ / 0.39 yd³





Please note: The machines and accessories depicted in brochures and catalogues can vary from version to version; therefore please consult your distributor for a description of standard accessories and options available for each model. Cormidi reserves the right to change or to modify the specification of the machines without warning. The photos in catalogues and brochures represent the Cormidi machines in production at time of printing. However, newer and upgraded models may look different to the photos shown in this catalogue or brochure.

CORMIDI S.r.l.

Via Fonte 342, Roccadaspide (SA) ITALY - Tel. +39 0828 943688

info@cormidi.com - www.cormidi.com