

Zippy Scaff-Mini Folding Scaffold Base Unit Assembly Instructions

July 2016

General

These Assembly instructions apply to assembly of the Base Unit configuration of the Oldfields Advance Scaffold **Zippy-Scaff-Mini** Folding Scaffold, where the Deck height ranges from 0.4m to 1.1m above ground level.

Load rating of the Zippy Scaff-Mini is **225kg maximum** = Light Duty Load in accordance with AS/NZS1576.1

Components

- Folding Base Unit Assembly (includes castors)
- Deck Unit (as part of the Base Unit assembly)

Step 1

Stand up Frame Assembly on hard, flat, level surface

Step 2

Pull each of the end frames away from each other extending and opening up the assembly (See Fig.1)

Note:

If Zippy Scaff-Mini "sticks" whilst opening or closing frames, **DO NOT FORCE**, give the unit a gentle shake to free braces.

For maximum stability ensure the castor's are positioned with brake levers facing outwards at right angles to the Deck

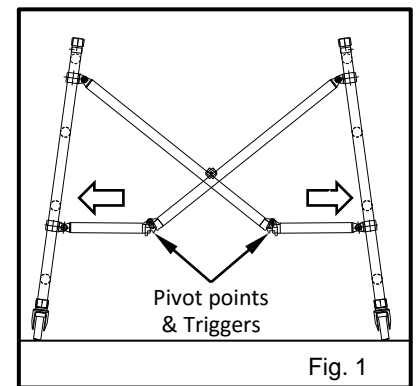


Fig. 1

Step 3

Push upwards at Pivot Arm hinges until Pivot Arms are straight and hinge locking mechanisms at each pivot are engaged (see Fig.2)

Step 4

Fit Deck onto to the required rung level ensuring that Deck hooks are supported by the rungs at the same level.

Insert deck on angle "diagonally" between frame uprights and rungs until hooks clear upright at other end, then slide Deck back to fit hooks onto rungs. Push Deck firmly down to locate hooks (it is intended to be a tight fit).

Deck is positioned at typically at 2nd rung height, giving Deck working height of typically 0.7m above ground level. Deck may also be fitted to lower rung levels as required (See Fig. 3)

The Deck **MUST NOT** be placed on the top rung, unless the Guardrail Pack is fitted. See Assembly instructions for Zippy Scaff-Mini with Guardrail Pack.

Step 5

Roll scaffold to desired location.

Step 6

Apply Brakes to castors.

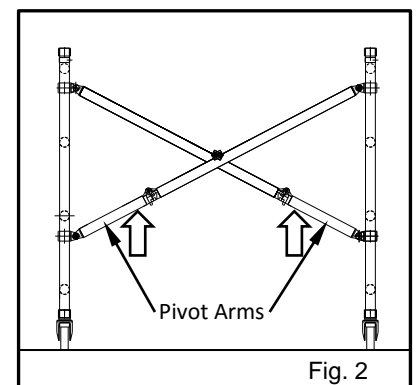


Fig. 2

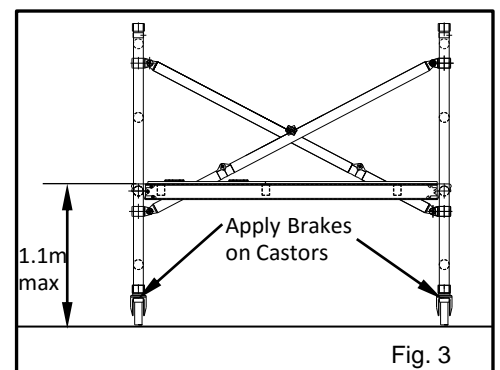


Fig. 3

ACCESS to Zippy Scaff Folding Scaffold

When Deck height is between 0.4m and its maximum height of **1.1m** then use of a small step unit can facilitate access to the Deck.

DO NOT CLIMB UP THE OUTSIDE OF THE SCAFFOLD TO ACCESS THE WORKING DECK LEVEL

Zippy Scaff-Mini Folding Scaffold **Base Unit Assembly Instructions cont'd**

July 2016

LOAD RATING

Total Load on Zippy Scaff-Mini Base Unit must not exceed 225kg.

(=Light Duty Live Load in accordance with AS/NZS1576.1)

Maximum of ONE working level.

Maximum Deck Height for Base Unit = 1.1m.

Note: Deck Height of 1.5m requires Base Unit to be fitted with Outriggers and Guardrail Pack

To DISMANTLE Zippy Scaff-Mini Folding Scaffold

Remove Deck unit from the base frame and release brake on castors.

Release the locking clip on pivot arms by pressing the trigger at the hinge and allow the pivot arms to fold.

KEEP FINGERS CLEAR OF PINCH POINTS.

Stand beside the **Zippy Scaff-Mini**, and pull the frames in towards the centre.

Interconnect bottom rungs with the formed wire Deck carry cradle.

Insert deck onto carry Cradle

Unit can now be rolled away otherwise apply brakes to prevent rolling

RECOMMENDED SAFE WORK PRACTICES WHEN USING THE OLDFIELDS ADVANCE Zippy Scaff-Mini Folding Scaffold INCLUDE, BUT ARE NOT LIMITED TO THE FOLLOWING:

- **Zippy Scaff-Mini Folding Scaffold** must not be used as a working platform, alongside stair voids or at the edge of mezzanine floors, on balconies, unprotected slab edge, penetration or step down, under any circumstances.
- **Zippy Scaff-Mini Folding Scaffold** must be used on a hard, flat, level surface.
- Avoid power lines (minimum clearance 4m...Consult your local electricity supply authority).
- Keep **Zippy Scaff-Mini Folding Scaffold** Deck and surrounding work area clear of material and debris.
- Inspect your **Zippy Scaff-Mini Folding Scaffold** for damage prior to use. Do not use if damaged. Consult Oldfields Advance Scaffold for repair.
- When moving **Zippy Scaff-Mini Folding Scaffold**, keep a firm hold of frames unless unit is fully opened and castors are locked.
- Wear and use appropriate personal protective equipment for the job being done.
- Keep fingers (and other body parts) clear of potential pinch points (e.g. ends of braces, under deck hooks, etc) whilst opening or closing **Zippy Scaff-Mini Folding Scaffold**.
- Do not exert significant sideward force (pushing / pulling) at right angles to the deck (unless it is tied to a secure structure).
- Do not exert excessive pulling force parallel to the deck (unless it is tied to a secure structure).
- Castors should be locked at all times, unless **Zippy Scaff-Mini Folding Scaffold** is being relocated.
- **Zippy Scaff-Mini Folding Scaffold** must not be relocated while any person or objects are on the deck.
- Do not attach banners, signs or containment sheeting to **Zippy Scaff-Mini Folding Scaffold** unless it is tied to a secure structure.
- Remove any build up of paint / plaster etc. that inhibits function of frame pivots and connections.
- All couplers and fittings used (for ties etc) must be compatible with 50.8 mm O/D tube.
- Use correct manual handling techniques when loading / unloading **Zippy Scaff-Mini Folding Scaffold**; e.g. bend knees, not your back.
- Do not exceed the rated Working Load of the scaffold (225kg).

REMEMBER: THINK SAFETY FIRST AND IF IN DOUBT... ASK YOUR SUPPLIER