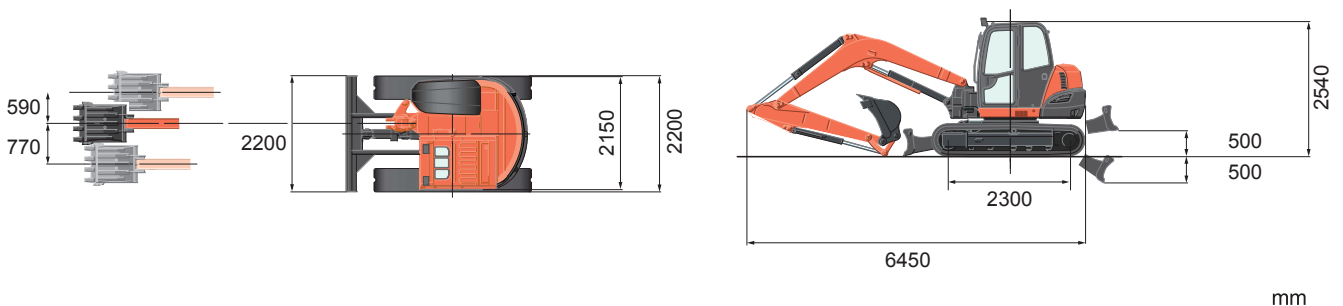


SPECIFICATIONS

Model		KX080-3S	
Type of cabin		ROPS / FOPS cabin	
Type of tracks		Rubber / Steel	
Engine	Model		Kubota V3307 DI-T
	Output (SAEJ 1995 gross)		HP (kW)/rpm 70.0 (52.2) / 2000
	Output (SAEJ 1349 net)		HP (kW)/rpm 66.5 (49.6) / 2000
	Displacement		cc 3331
Dimensions	Overall length		mm 6450
	Overall height		mm 2540
	Overall width		mm 2200
	Min. ground clearance		mm 390
Hydraulic system	Pump capacity		ℓ/min 72.0 Variable × 2 / 66.6 Gear × 1
	Auxiliary hydraulic flow		ℓ/min 100 / 66.6
	Max. breakout force	Bucket / Arm	kgf 6650 / 3880
Drive system	Travel speed	Low / High	km/h 2.7 / 4.9
	Max. traction force	Low speed	kgf 6630
	Tumbler distance		mm 2300
	Crawler length		mm 2900
	Shoe width	Rubber / Steel	mm 450 / 450
	Ground contact pressure	Rubber / Steel	kgf/cm ² 0.367 / 0.369
Swing system	Unit swing speed		rpm 9.5
	Boom swing angle	Left / Right	degree 70 / 60
Blade	Dimensions		Width mm 2200
			Height mm 500
	Max. lift above ground		mm 500
	Max. drop below ground		mm 500
Hydraulic oil (reservoir / system)		ℓ	75 / 135
Fuel reservoir		ℓ	115
Operating weight (Including operator's weight 80 kg.)		Rubber / Steel	kgs 8280 / 8330

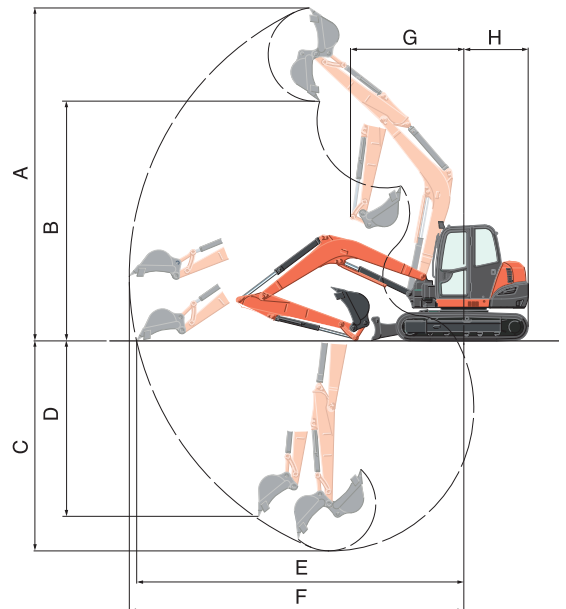
The company reserves the right to change the above specifications without notice. This brochure is for descriptive purposes only. Please contact your local Kubota dealer for warranty information. For your safety, Kubota strongly recommends the use of a Rollover Protective Structure (ROPS) and seat belt for almost all applications.

DIMENSIONS



WORKING RANGE

Model			KX080-3S	
A	Max. digging height	mm	7300	
B	Max. dumping height	mm	5250	
C	Max. digging depth	mm	4600	
D	Max. vertical digging depth	mm	3850	
E	Max. digging radius at ground	mm	7170	
F	Max. digging radius	mm	7330	
G	Min. turning radius	w/o swing	mm	2490
		w/ swing	mm	2000
H	Min. tail turning radius	mm	1460	



LIFTING CAPACITY

LIFT POINT HEIGHT (m)	LIFTING CAPACITY OVER-FRONT BLADE DOWN unit=ton				LIFTING CAPACITY OVER-SIDE unit=ton		
	LIFT POINT RADIUS (m)			LIFT POINT RADIUS (m)			
	3	5	MAX	3	5	MAX	
3	2.20	1.65	1.55	2.20	1.10	0.80	
2	3.35	1.85	1.60	2.25	1.05	0.70	
1	4.15	2.05	1.60	2.05	1.00	0.70	
GL	4.35	2.15	1.65	1.95	0.95	0.70	

Machine with cabin and rubber crawler, without bucket

