



TECHNICAL DATA

MASSES

Max. operating mass	4800 kg
Operating mass (incl. ROPS)	3900 kg
Module mass (front/rear)	1855 kg/2045 kg

COMPACTION (SINGLE AMPLITUDE)

Centrifugal force	38/31 kN
Nominal amplitude	0.5 mm
Static linear load (front/rear)	14.3/15.7 kg/cm
Vibration frequency	54/49 Hz
Water tank	298 l

COMPACTION (DUAL AMPLITUDE)

Centrifugal force (high/low amplitude)	38/21 kN
Nominal amplitude (high/low)	0.5/0.2 mm
Vibration frequency	54/61 Hz

TRACTION

Speed range	0-9 km/h
Vertical oscillation	±10°
Max. theoretical gradeability	42 %

ENGINE

Manufacturer/Model	Kubota V2203-M (IIIA)
Type	Water cooled diesel engine
Rated power, SAE J1995	35 kW (48 hp) @ 2700 rpm
Fuel tank capacity	60 l

ENGINE

Manufacturer/Model	Kubota V2403-CR E4B (T4)
Type	Water cooled diesel engine
Rated power, SAE J1995	37 kW (50 hp) @ 2700 rpm

ENGINE

Manufacturer/Model	Kubota V2403-CR E5B (StageV)
Type	Water cooled diesel engine
Rated power, SAE J1995	37 kW (50 hp) @ 2700 rpm

ENGINE

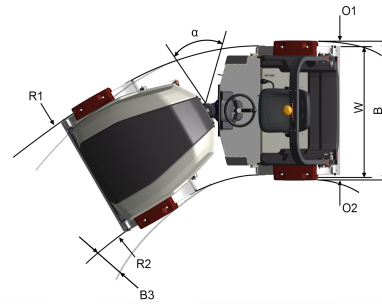
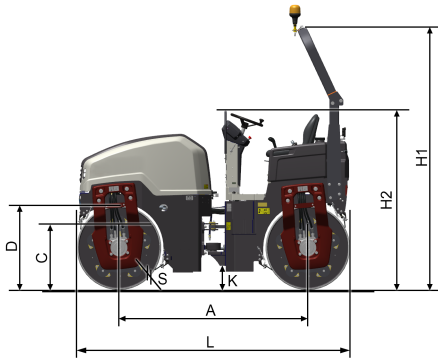
Manufacturer/Model	Kubota V2403-M-DI (CSIV/ECE R96(IIIA))
Type	Water cooled diesel engine
Rated power, SAE J1995	36.5 kW (48.9 hp) @ 2600 rpm

HYDRAULIC SYSTEM

Driving	Axial piston pump with variable displacement. Radial piston motors (2) with constant displacement.
Vibration	Gear pump/motors with constant displacement.
Steering	Gear pump with constant displacement.
Service brake	Hydrostatic in forward and revers lever.
Parking/ Emergency brake	Failsafe multidisc brake in both drums

Find us locally at www.dynapac.com

We reserve the right to change specifications without notice. Photos and illustrations do not always show standard versions of machines. The above information is a general description only, all information's are supplied without liability.



DIMENSIONS

DIMENSIONS

A. Wheelbase	1970 mm
B. Width	1425 mm
B3. Width, offset	50 mm
C. Curb clearance	690 mm
D. Drum diameter	880 mm
H1. Height, with ROPS/cab	2855 mm
H2. Height, w/o ROPS/cab	2025 mm
K. Ground clearance	190 mm
L. Length	2850 mm
O1. Overhang, right	62.5 mm
O2. Overhang, left	62.5 mm
R1. Turning radius, outside	4330 mm
R2. Turning radius, inside	3030 mm
S. Drum shell thickness	16 mm
W. Drum width	1300 mm
α . Steering angle	$\pm 30^\circ$

Find us locally at www.dynapac.com

We reserve the right to change specifications without notice. Photos and illustrations do not always show standard versions of machines. The above information is a general description only, all information's are supplied without liability.