

U10-5 OPTIONS

Standard Equipment

Engine

- Kubota original engine

Undercarriage

- 180mm rubber track
- Variable track
- 2-speed travel
- Double flange track rollers (piece number on each track 3 pcs)

Hydraulic system

- Hydraulic pressure checking ports
- One-way auxiliary circuit (AUX1) via foot pedal control
- Hydraulic pilot control levers with wrist rests
- TPSS

Safety system

- Engine start safety system
- Hydraulic lock system
- Travel alarm

Working equipment

- 1 LED working light on the boom

Canopy

- ROPS
(Roll-over Protective Structure, ISO3471)

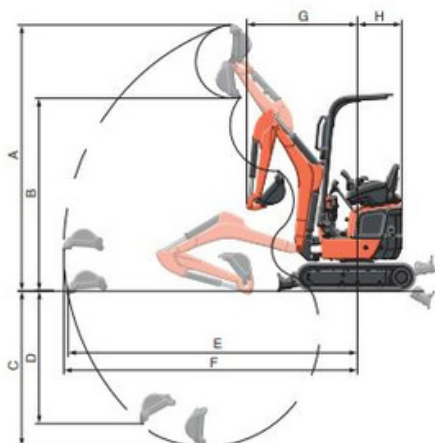
Optional Equipment

Others

- AUX1 2-way circuit kit
- Beacon lights

Working Range

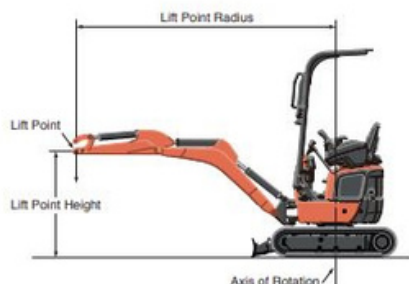
Model	U10-5			
A	Max. digging height	mm	3050	
B	Max. dumping height	mm	2210	
C	Max. digging depth	mm	1800	
D	Max. vertical digging depth	mm	1550	
E	Max. digging radius, at ground level	mm	3330	
F	Max. digging radius	mm	3380	
G	Min. turning radius	w/o swing	mm	1260
		with swing	mm	1075
H	Min. tail turning radius	mm	510	



Lifting Capacity

LIFT POINT HEIGHT (m)	LIFTING CAPACITY OVER-FRONT BLADE DOWN unit=ton				LIFTING CAPACITY OVER-SIDE unit=ton		
	LIFT POINT RADIUS (m)				LIFT POINT RADIUS (m)		
	1.5	2	2.5		1.5	2	2.5
1.5	—	0.19	0.19	—	0.19	0.13	
1	0.31	0.24	0.19	0.28	0.18	0.12	
0.5	0.45	0.27	0.20	0.26	0.17	0.12	
GL	0	0.42	0.27	0.19	0.24	0.16	0.12

Machine with ROPS canopy and rubber crawler, without bucket



Specifications

Model		U10-5		
Type of ROPS / FOPS		Canopy		
Type of tracks		Rubber		
Engine	Model		D722-E4-BH-SUS	
	Output (SAE J1995 gross)	HP (kW) @ rpm	10.3 (7.7) @ 2050	
	Output (SAE J1349 net)	HP (kW) @ rpm	10.1 (7.5) @ 2050	
	Displacement	cc	719	
Dimensions	Overall length		mm	2980
	Overall height		mm	2260
	Overall width	Standard	mm	990
		Narrow	mm	750
	Track gauge	Standard	mm	990
		Narrow	mm	750
	Min. ground clearance		mm	140
Hydraulic system	Pump capacity		ℓ/min	10.5 × 2 / 3.1 × 1
	Auxiliary hydraulic flow		ℓ/min	21
	Max. breakout force	Bucket / Arm	kgf	1060 / 550.6
Drive system	Travel speed	Low / High	km/h	2.0 / 4.0
	Tumbler distance		mm	1010
	Crawler length		mm	1340
	Shoe width		mm	180
	Ground contact pressure		kgf/cm ²	0.30
Swing system	Unit swing speed		rpm	8.3
	Boom swing angle	Left / Right	degree	55 / 55
Blade	Dimensions	Width Std / Narrow	mm	990 / 750
		Height	mm	200
	Max. lift above ground		mm	215
	Max. drop below ground		mm	190
Hydraulic oil (Reservoir / System)		ℓ	12.6 / 17.1	
Fuel reservoir		ℓ	12	
Operating weight (Including operator's weight @ 75 kg)		kgf	1200	

The company reserves the right to change the above specifications without notice. This brochure is for descriptive purposes only. Please contact your local Kubota dealer for warranty information. For your safety, Kubota strongly recommends the use of a Rollover Protective Structure (ROPS) and seat belt for almost all applications.

Dimensions



Unit: mm